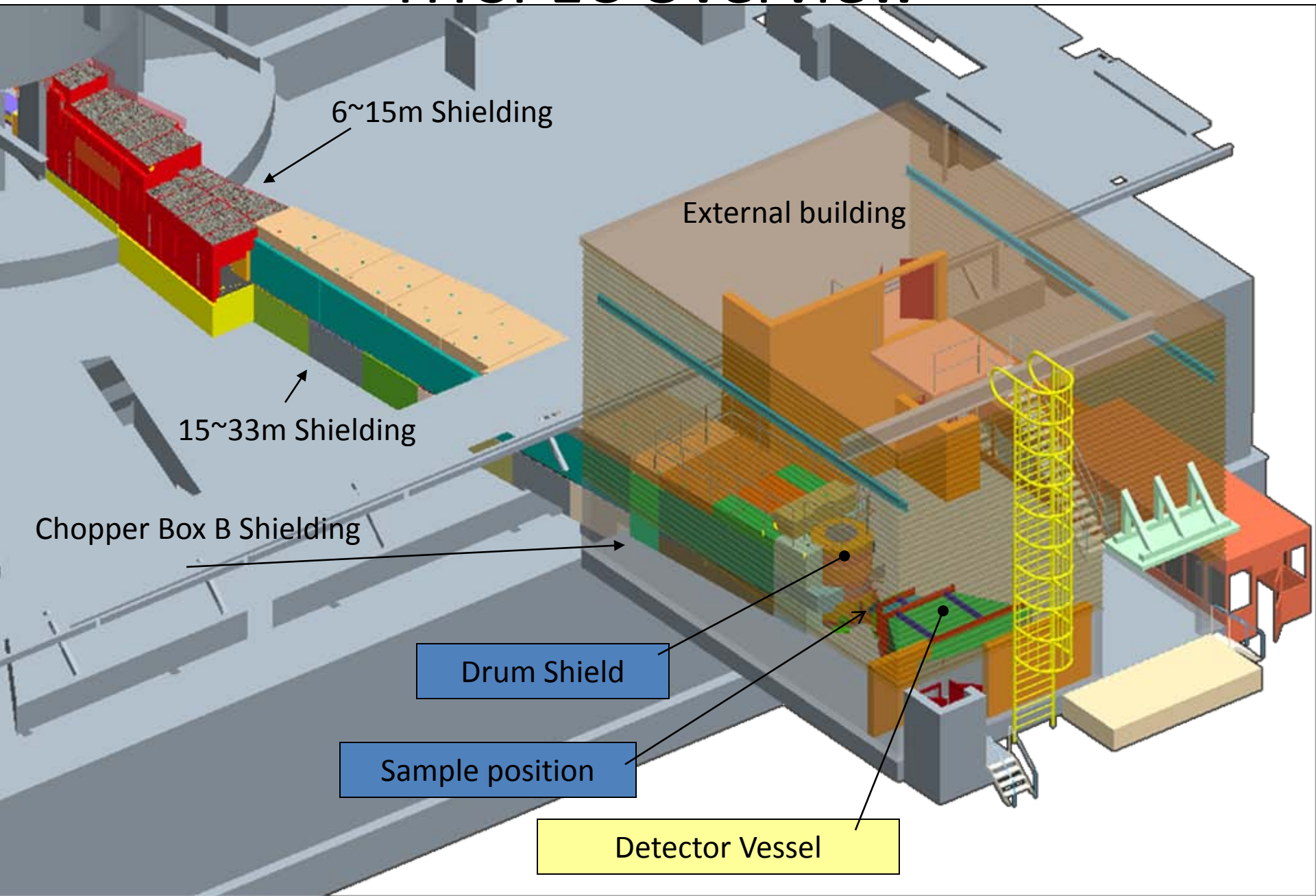


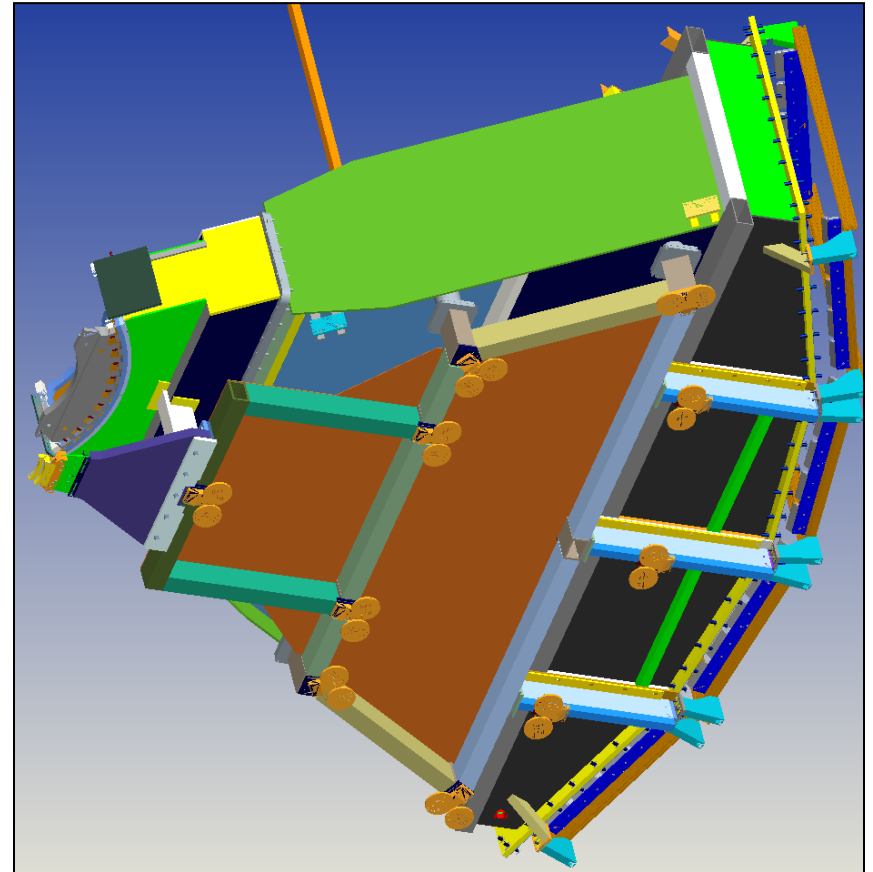
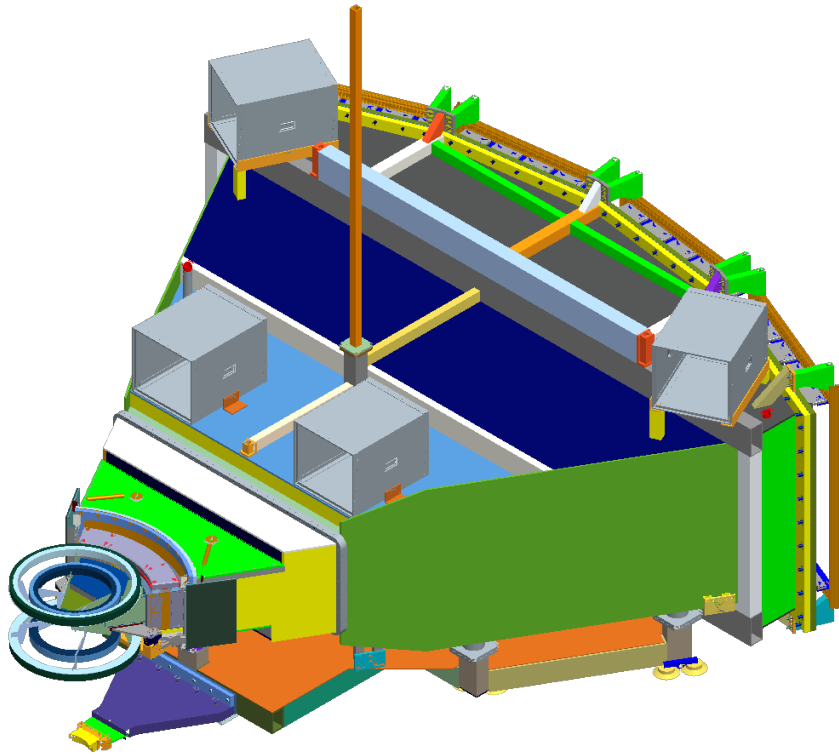
HYSPEC status

June 16, 2010

HYSPEC Overview



Detector Vessel, designed and in procurement

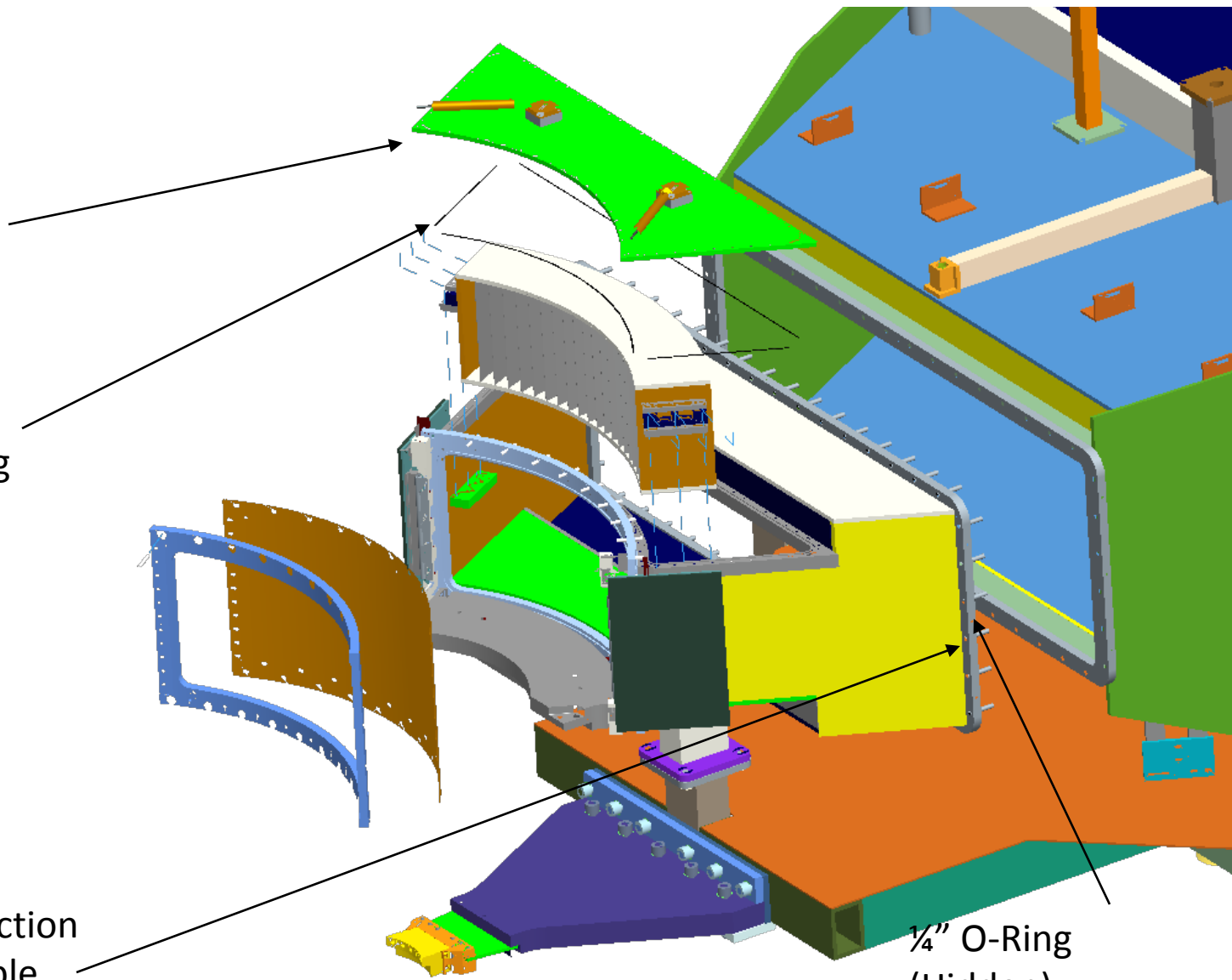


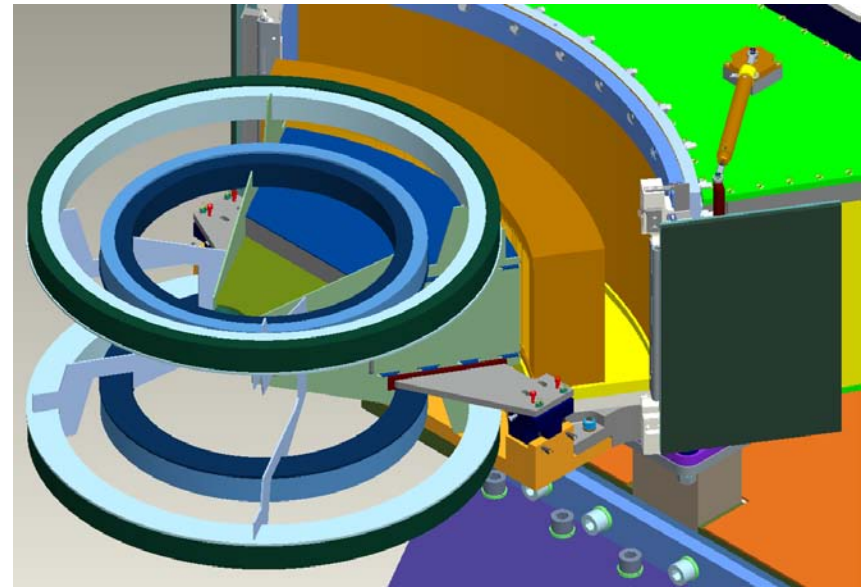
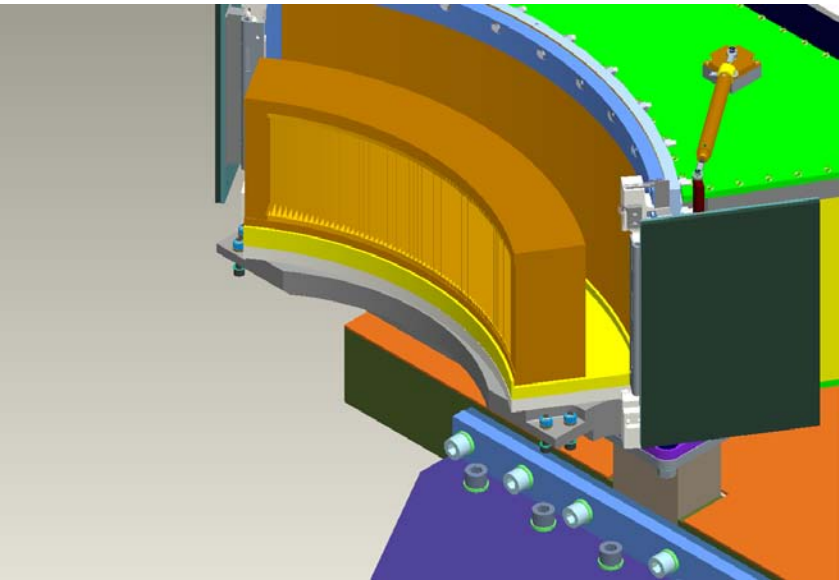
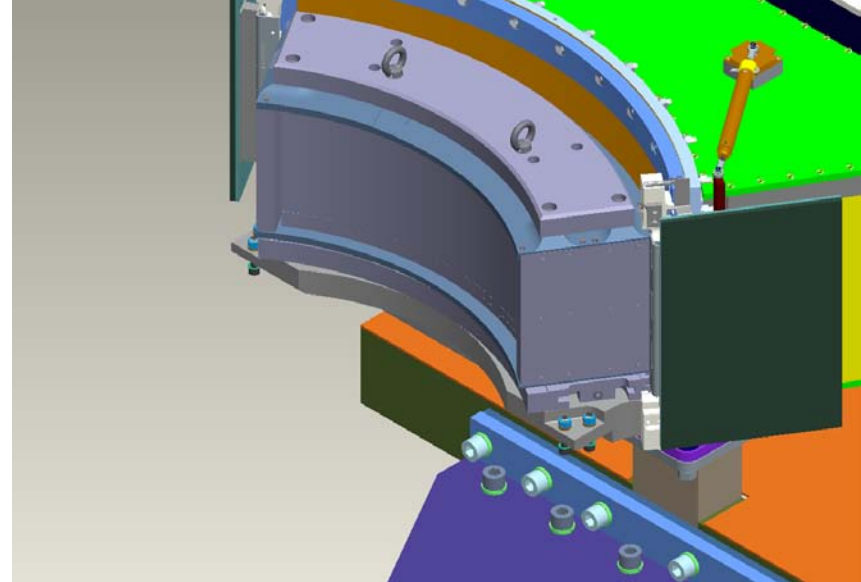
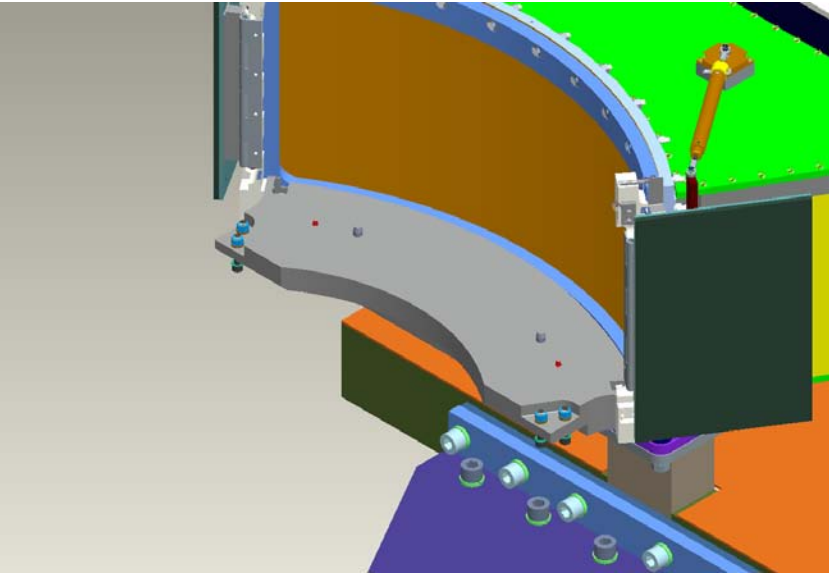
Removable hatch for course collimator access

1/8" O-Ring

Front section removable

1/4" O-Ring (Hidden)





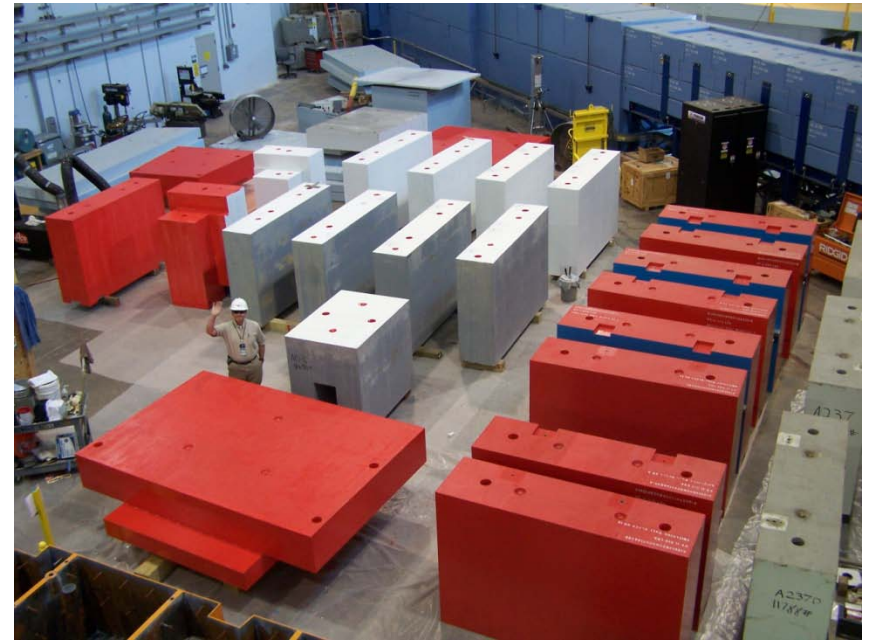
PIP Shield all in, & Guide installation



Secondary shutter being installed



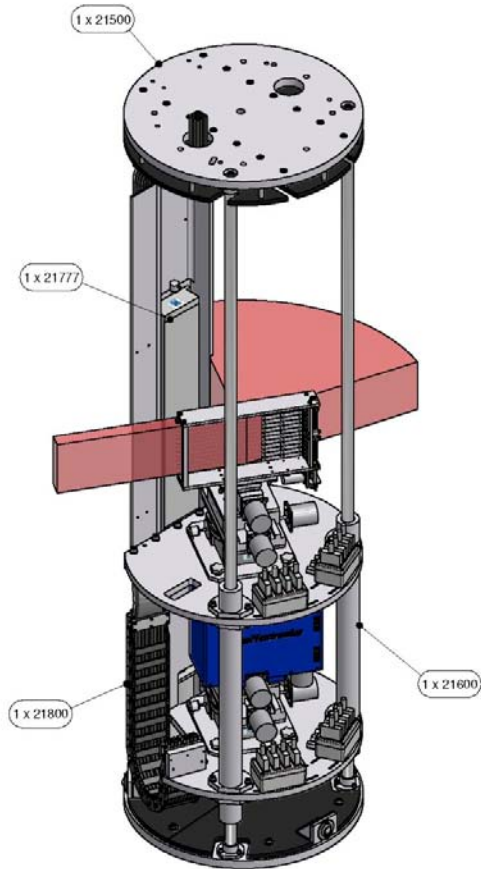
Shield blocks delivered



Shield blocks getting ready



Monochromator delivered



Monochromator Shield component lead pours

