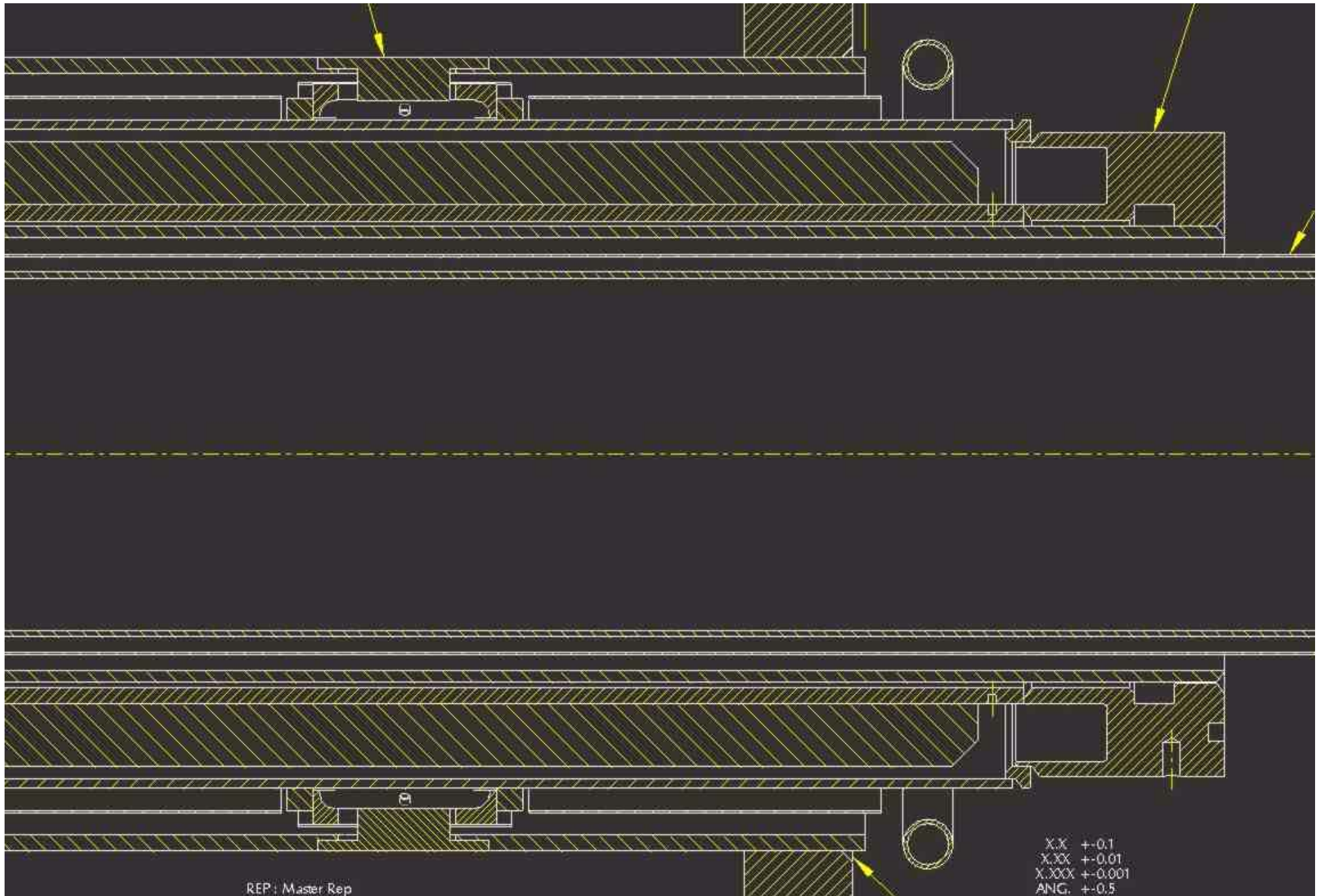
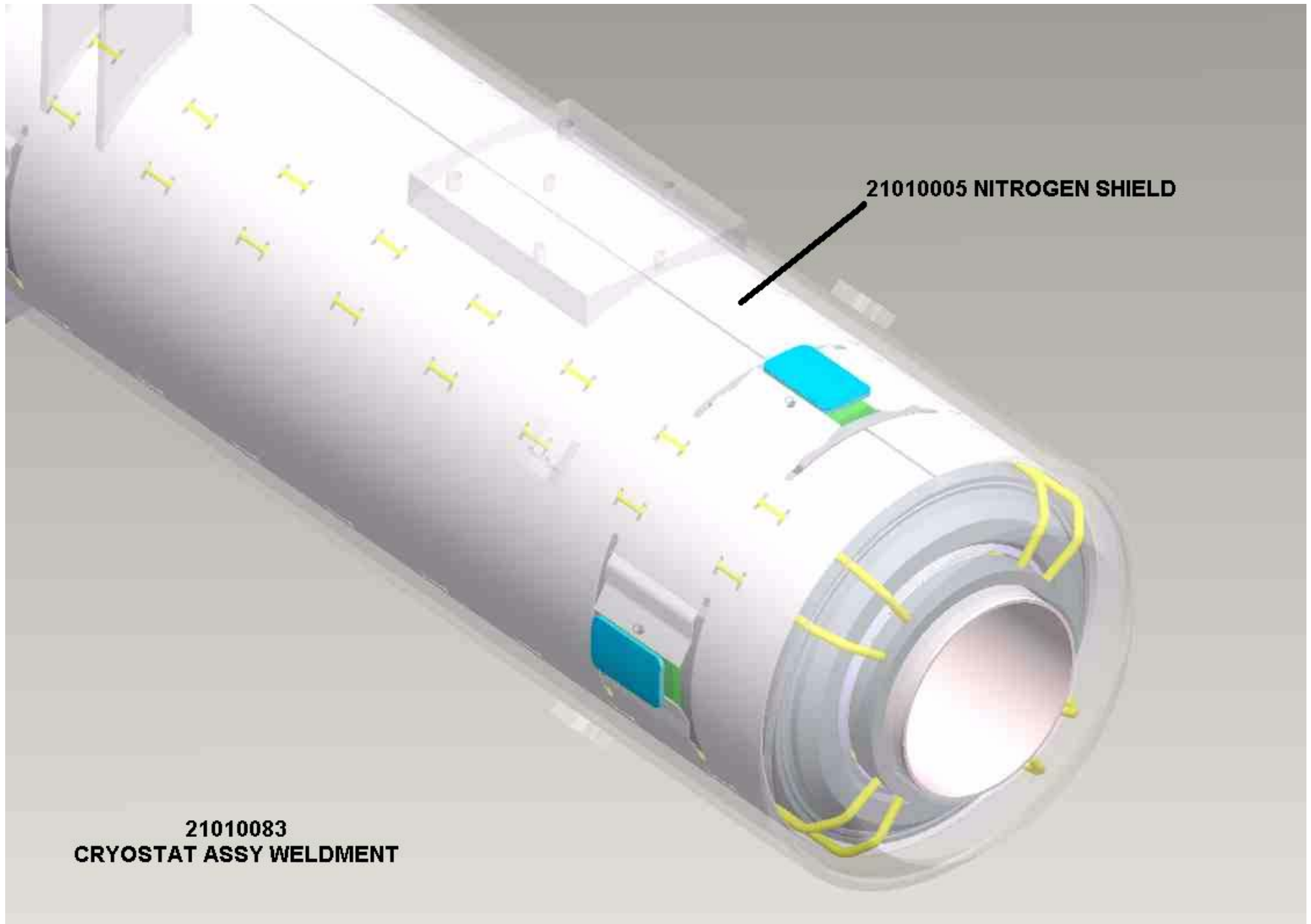


21010005
OUTER NITROGEN SHIELD WELDMENT



REP: Master Rep

X.X	+/-0.1
X.XX	+/-0.01
X.XXX	+/-0.001
ANG.	+/-0.5



21010005 NITROGEN SHIELD

**21010083
CRYOSTAT ASSY WELDMENT**