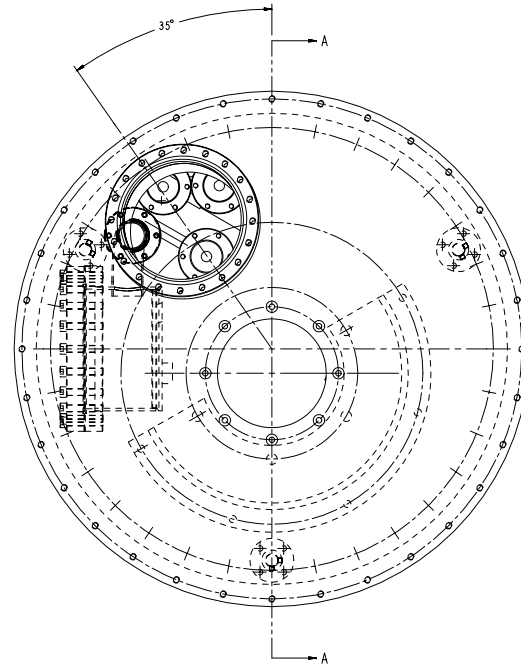
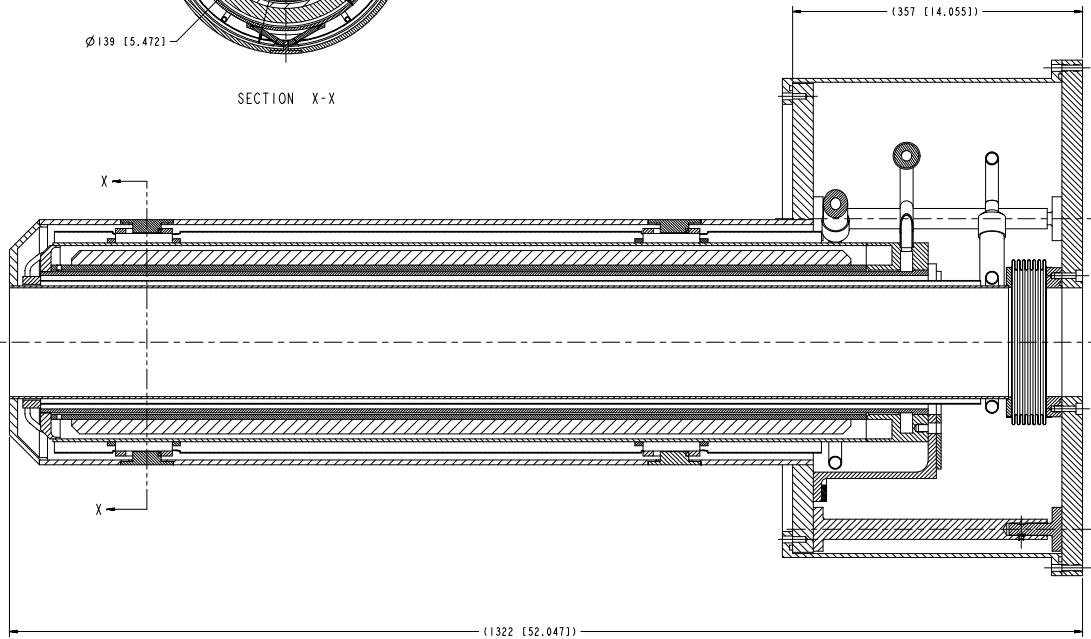
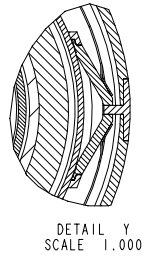
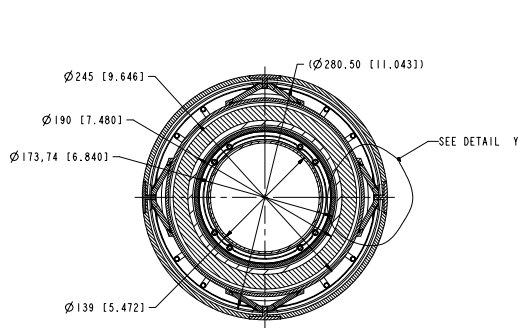


NOTES:

REVISIONS			
REV ZONE	ECN NO.	DESCRIPTION	BY DATE CRR APP

- Assembly 21010001 contains:
- Part 21010010
 - 1 Sub-Assembly 21010002
 - 1 Sub-Assembly 21010003
 - 1 Sub-Assembly 21010004
 - 1 Part 21010020
 - 8 Part 21010039
 - 8 Part 21010040
 - 1 Part 21010012
 - 1 Part 21010015
 - 1 Part 21010016
 - 1 Sub-Assembly 21010006
 - 1 Sub-Assembly 21010005
 - 1 Part 21010017
 - 1 Part 21010021
 - 1 Part 21010022
 - 1 Part 21010029
 - 3 Part 21010033
 - 3 Part 21010034
 - 1 Part 21010036
 - 1 Part 21010035
 - 1 Part 21010037
 - 8 Part 21010038
 - 1 Part 21010045
 - 1 Part 21010046
 - 1 Part 21010047
 - 20 Part DIN912A4M8X45
 - 1 Part 21010052
 - 1 Part 21010056
 - 1 Part 21010057
 - 2 Part 21010058
 - 1 Sub-Assembly 21010080
 - 1 Sub-Assembly 21010081
 - 1 Sub-Assembly 21010082



SECTION A-A

**PRELIMINARY
CHECK PRINT
BEP-C-II
5/8/2003**

OUTSTANDING ECN NUMBERS	INTERPRET IN ACCORDANCE WITH ASME Y14.2M-1994 UNLESS OTHERWISE SPECIFIED	IHEP DESG-114	BROOKHAVEN NATIONAL LABORATORY UPTON, N.Y. 11973
DIMENSION TO CENTER UNLESS OTHERWISE SPECIFIED	UNLESS OTHERWISE SPECIFIED	N. LOGTUS (U/DB)	TITLE: BEP-C-II LUMINOSITY UPGRADE COLD MASS ASSY
DRAWN BY: [Signature]	CHECKED BY: [Signature]	DATE: [Date]	SIZE: DRAWING NUMBER: 21010001
DATE: [Date]	SCALE: 1/2	REVISIONS:	SHEET 1 OF 2

21010001 Part 1 of 3 A