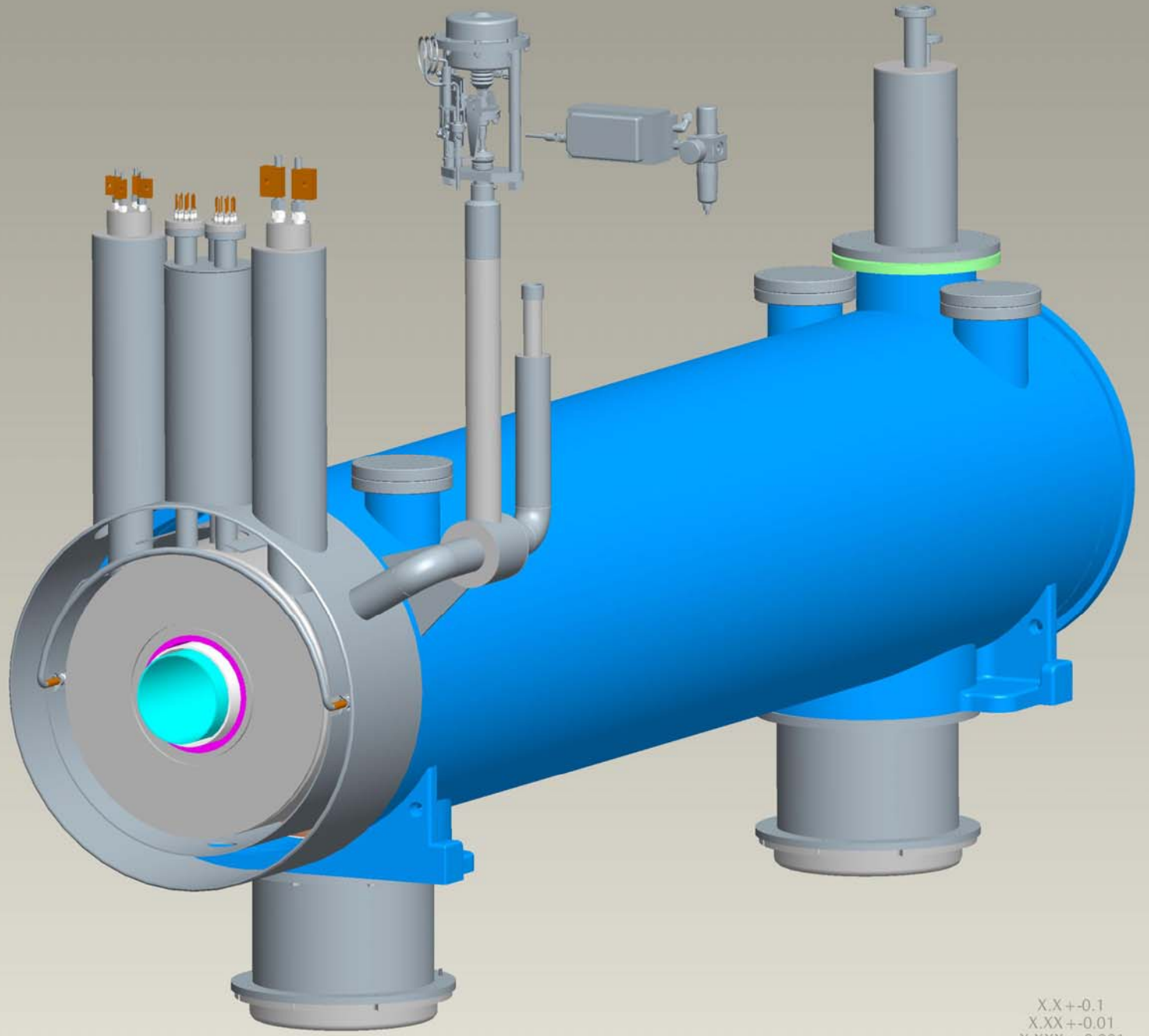
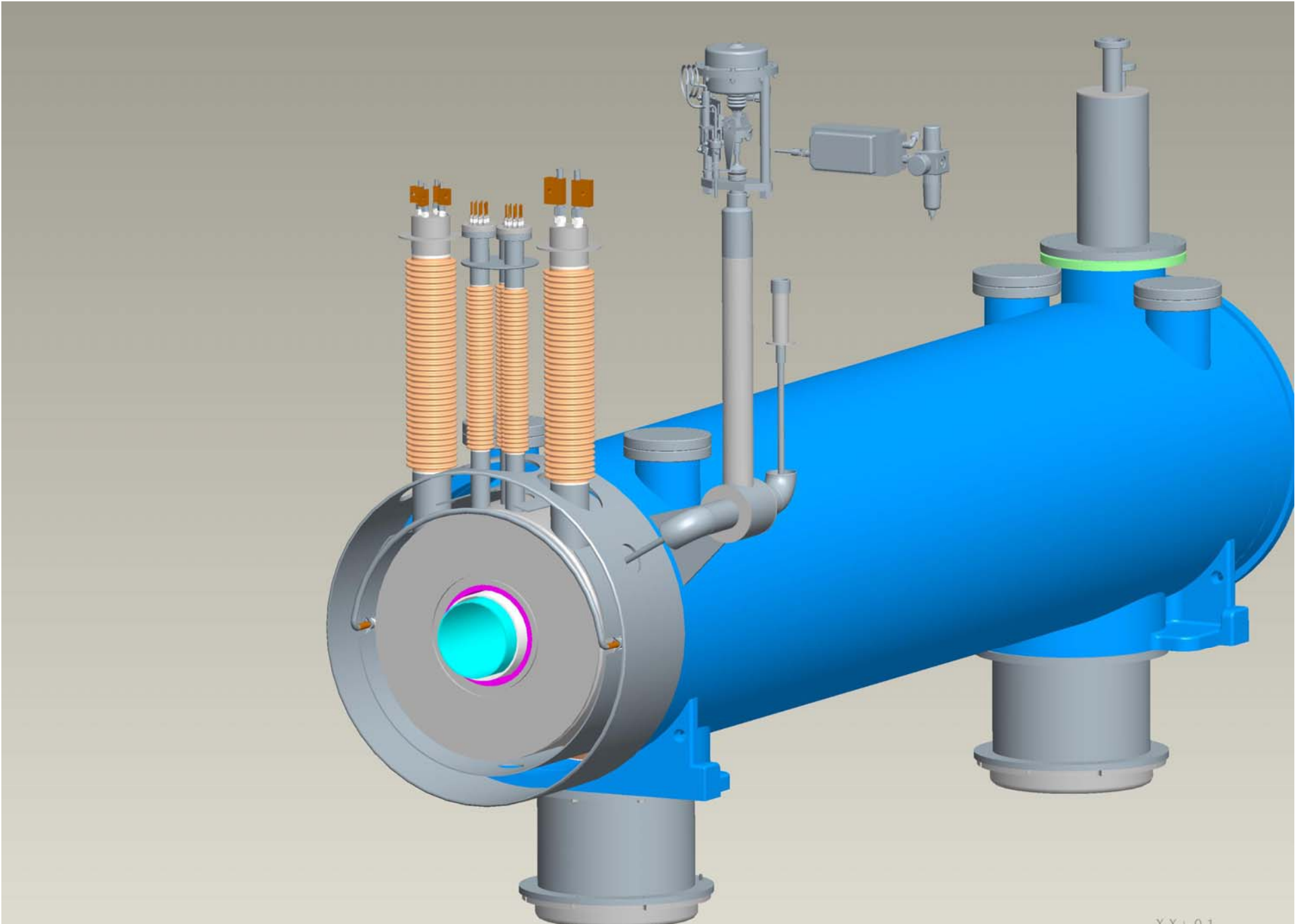
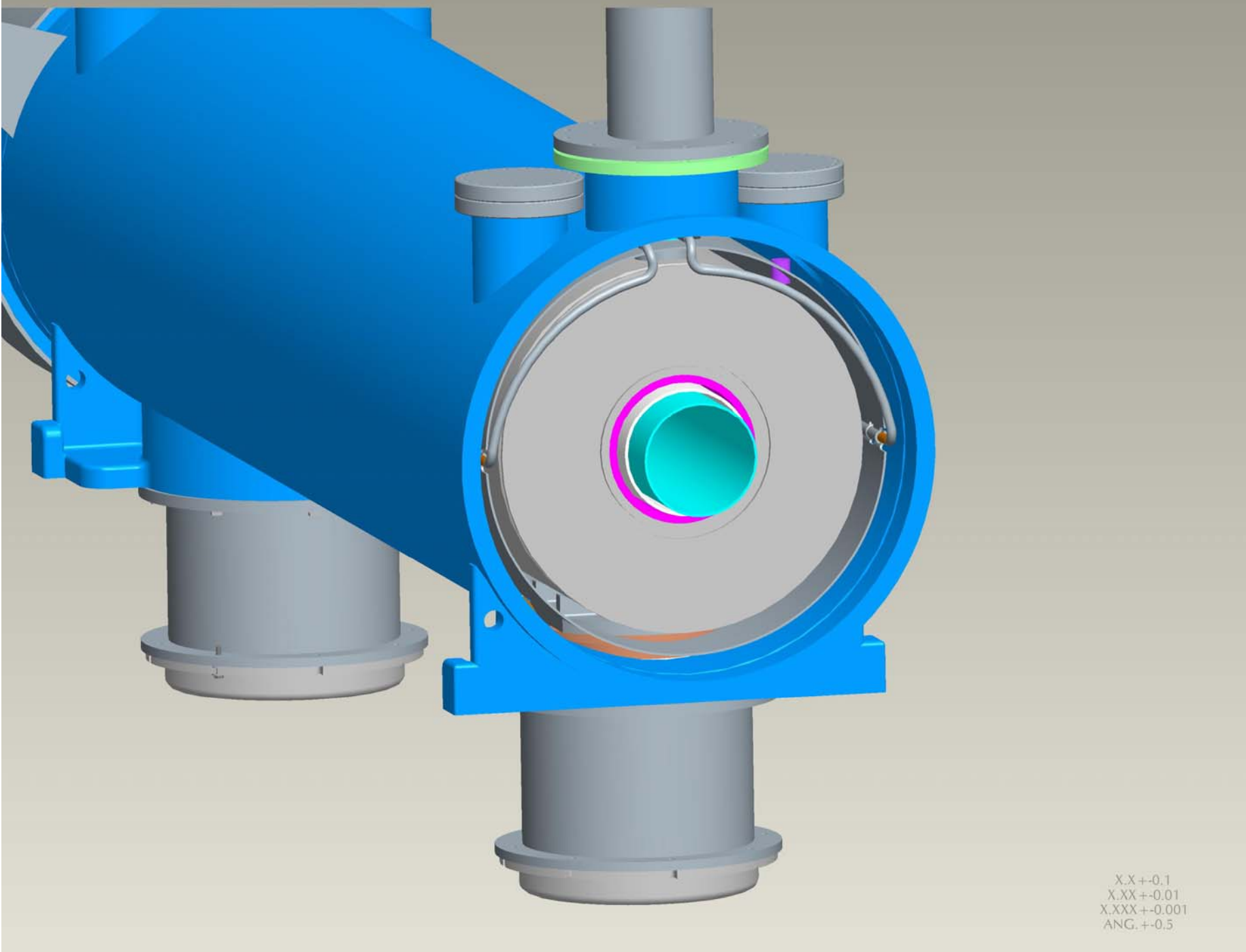


eLENS LAYOUT

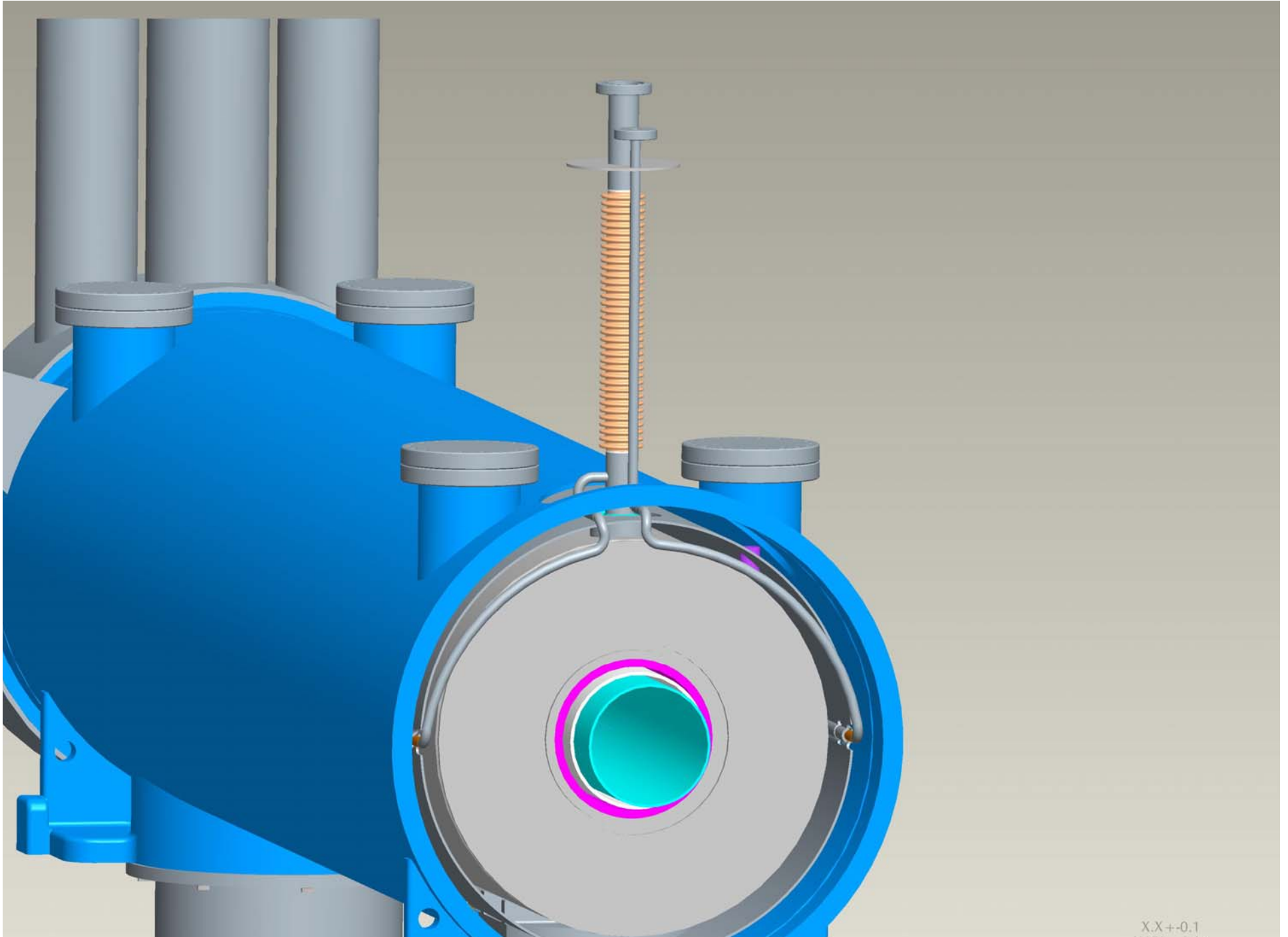


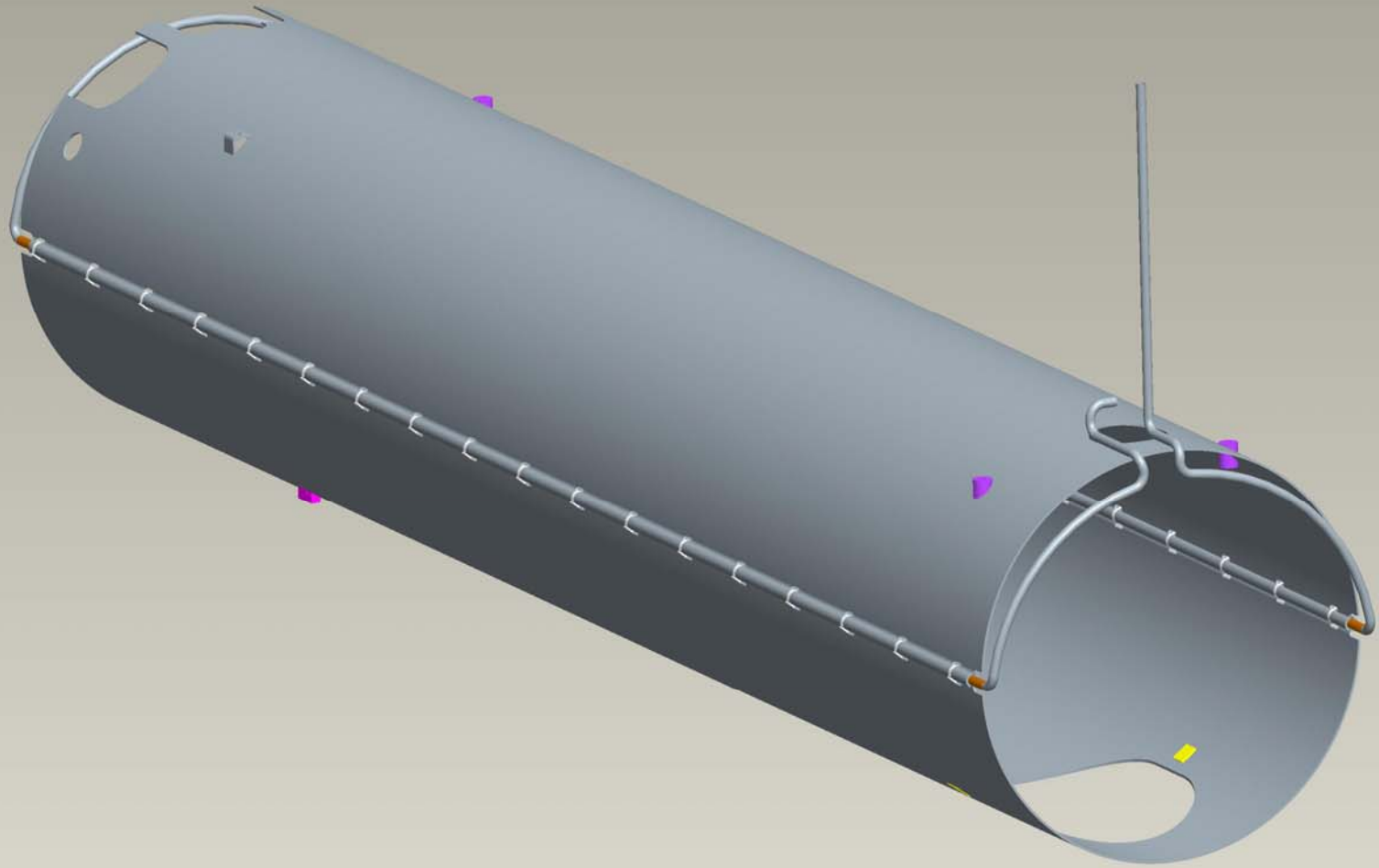
X.X+0.1
X.XX+0.01
X.XXX+0.001
ANG. +0.5





X.X+0.1
X.XX+0.01
X.XXX+0.001
ANG.+0.5





X.X+0.1
X.XX+0.01
X.XXX+0.001
ANG. +0.5

Plate Bank Assemblies



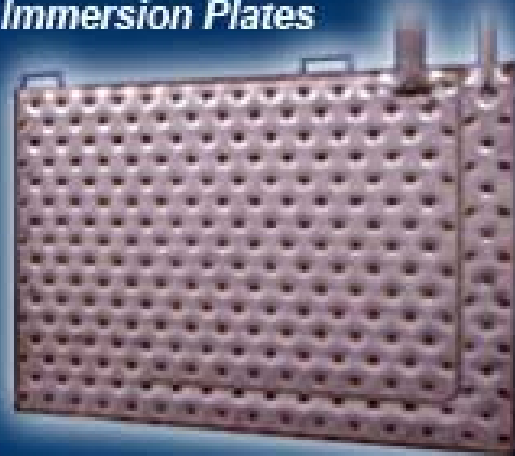
Tank Clamp-On Plates



Heat Recovery Banks



Immersion Plates



Tank Shells, Heads & Cones



Laser Channel Plates



Custom Designs



Bayonet Heaters

