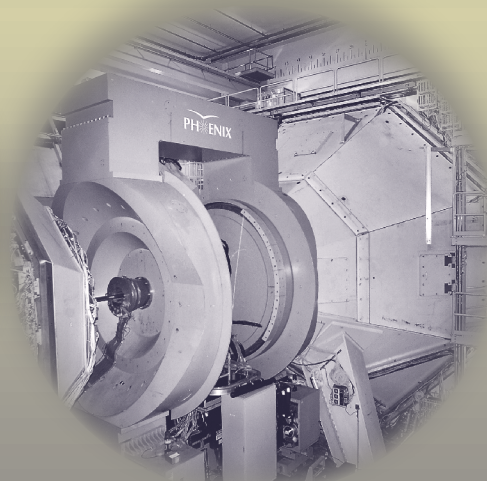
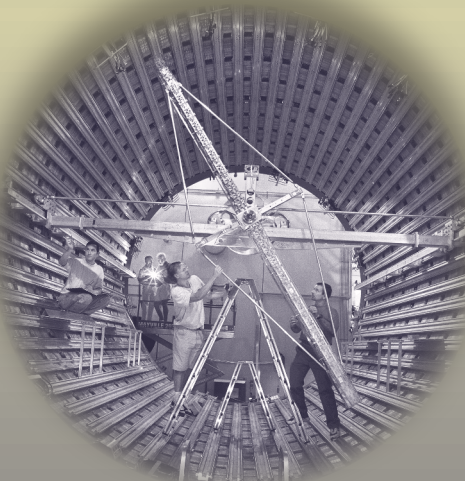
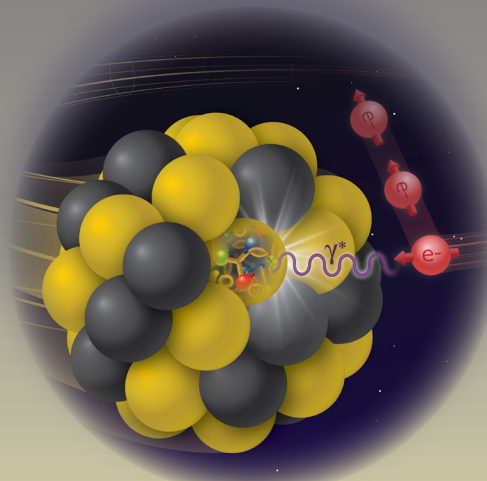
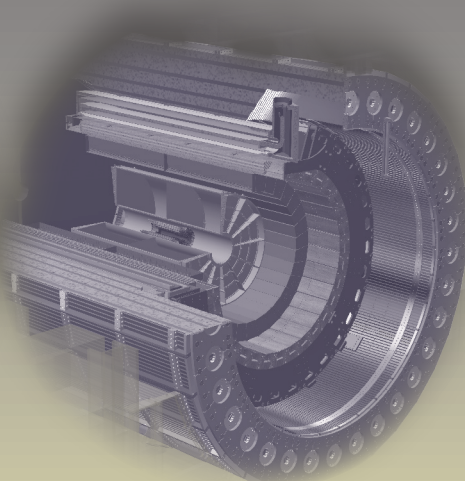
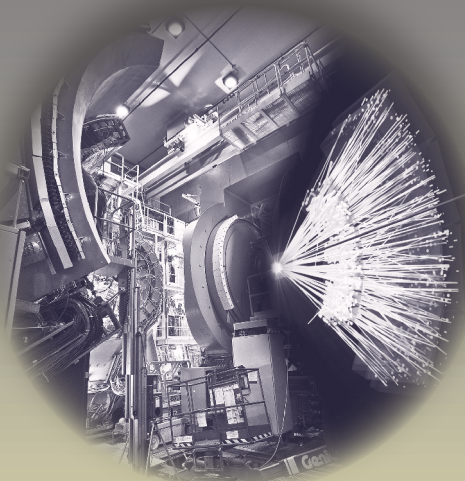


Brookhaven National Laboratory

20 years of RHIC

October 22-23, 2020 | Virtual RHIC/AGS Annual Users' Meeting

Topical workshops: October 22 | Plenary sessions: October 23



RHIC/AGS Users' Executive Committee

Christine Nattrass

Term, 2020-2023

christine.nattrass@utk.edu

Ron Belmont

Term, 2019-2022

belmonrj@gmail.com

Sevil Salur

Term, 2018-2021

salur@physics.rutgers.edu

Rosi Reed

Term, 2017-2020

rosijreed@lehigh.edu

Conference Coordinator

Kelly Guiffreda

guiffreda@bnl.gov

Registration and Program: www.bnl.gov/aum2020

