

Elementary School Science Fair **SUMMARY OF PROJECT**

This form is to be completed by the student and submitted along with the project. Do not put your name or the name of your school on this page.

Title of Project: _____

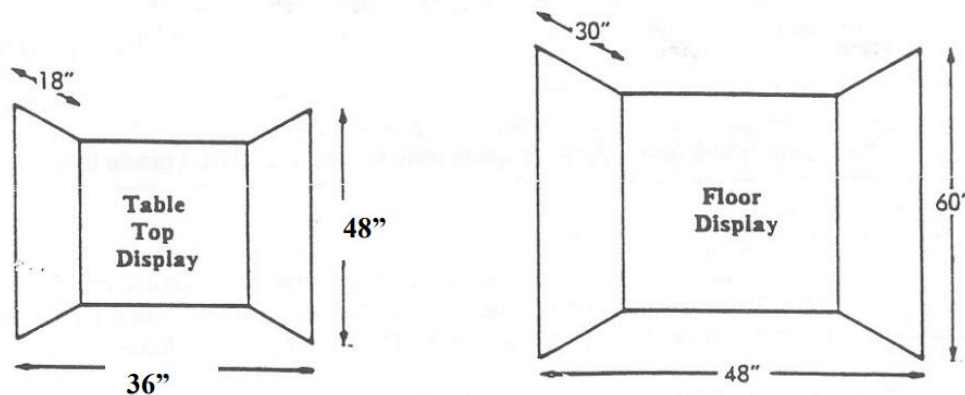
Objective (what I intended to accomplish): _____

Procedure (what steps I followed to prepare): _____

Conclusion (what I learned): _____

Project Requirement Checklist:

- Projects must follow the scientific method or engineering design process.
- Nothing on the project may identify the child, child's gender, or school. This is including, but not limited to, photos, journals, labels, or titles. Journals are encouraged, providing they do not identify the student.
- If using a tri-fold board, the size of the project cannot be bigger than standard cardboard project boards (36" x 48") available at many retail locations.



- Any project deemed to be unsafe or inhumane in any way will not be displayed at the Brookhaven National Laboratory (BNL) Science Fair and will not be judged. Live animals cannot be exhibited at the BNL Science Fair, but photographs are acceptable.
- Each project must include the completed Summary of Project form (the first page of this document) submitted with the project.
- The project must clearly reflect the students' own efforts. If adult support is given, it should be acknowledged on the display.